
	Product Information	Manufacturer	LEO
		Address	China,Zhejiang,Wenling
		Contact	0576-89988888
		Date	2024/7/17
Project Name	XKS-310PL	Client Name	
Item NO		Client Addr.	
		Contacts	
		Contact	

Part NO.	XKS-310PL
----------	-----------

Product Picture	Note
	<p>XKS-310PL can be used for transfer clean water or other liquids similar to water in physical and chemical properties, suitable to be immersed in water for lifting water from well or the pool, and draining water from the basement.</p>

Nameplate parameters

Max.flow	10 m ³ /h
Max.head	7 m
Max. Suction Depth	7m
speed	
Max. Dia of Particle	5mm

Technical

Flow range (m³/h)
Curve tolerance

Material

Impeller
Diffuser
Pump shaft
Pump flange
Motor base
Coupling
Pump barrel



Working conditions


Medium temperature (°C)	+35 °C
Max. ambient temperature (°C)	
Pumped medium	Clean water
Working pressure	
Maximum inlet pressure	

Installation

Length of Power Cable	10m
outlet dia.	1 1/4"

Motor

Motor phase	Single phase
Protection class	IPX8
Motor poles	
Insulation class	F
Motor power (KW)	0.3kW
Motor model	
Frequency	50Hz
Rated voltage (V)	220V-240V

	Product Information	Manufacturer	LEO
		Address	China,Zhejiang,Wenling
		Contact	0576-89988888
		Date	2024/7/17
Project Name	XKS-310PL	Client Name	
		Client Addr.	
		Contacts	
Item NO		Contact	

Rated current (A)

Efficiency class

Power factor

Efficiency (%)

Weight/Packaging

Net weight (kg)

Gross weight (kg)

Package size

17.7 kg

420x350x330mm





Performance Curve XKS-310PL

Manufacturer	LEO
Address	China,Zhejiang,Wenling
Contact	0576-89988888
Date	2024/7/17

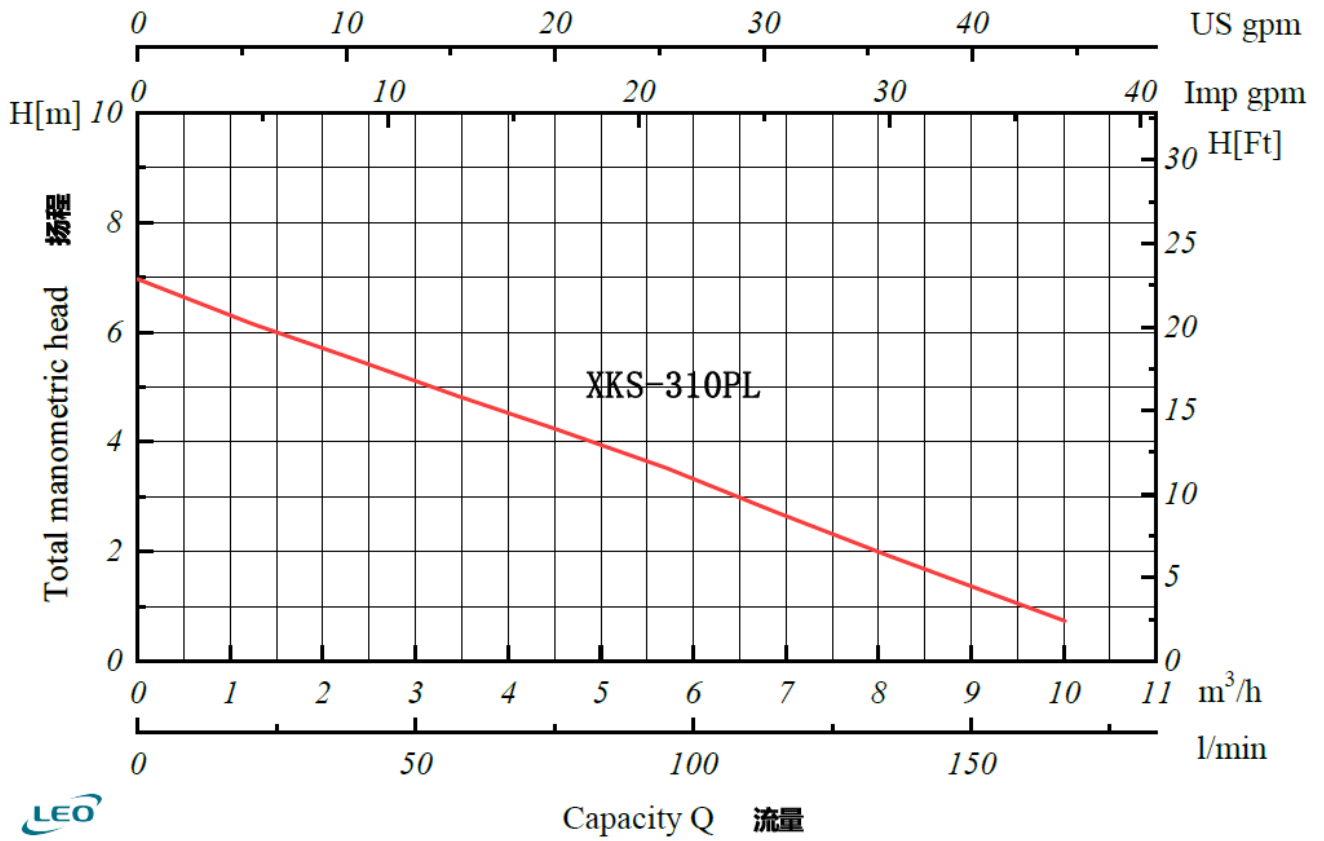
Project Name

Client Name	
Client Addr.	

Item NO

Contacts	
Contact	

Hydraulic Performance Curve 性能曲线图





Pump Technical Parameters XKS-310PL

Manufacturer	LEO
Address	China,Zhejiang,Wenling
Contact	0576-89988888
Date	2024/7/17
Client Name	
Client Addr.	
Contacts	
Contact	

Rated parameters

Pump model	XKS-310PL
Part NO.	XKS-310PL
Rated flow	10 m ³ /h
Rated head	7 m
Rated efficiency (%)	
Power (kW)	0.3
Speed (rpm)	

Design point parameters

Flow (m ³ /h)	
Head (m)	

Operating point parameters

Flow (m ³ /h)	
Head (m)	
Efficiency (%)	
Power (kW)	
NPSHr (m)	
Speed (rpm)	

Medium

Pumped medium	Water
Working temperature (°C)	
Medium density (kg/m ³)	
Viscosity (mm ² /s)	





Dimension
Drawing XKS-310PL

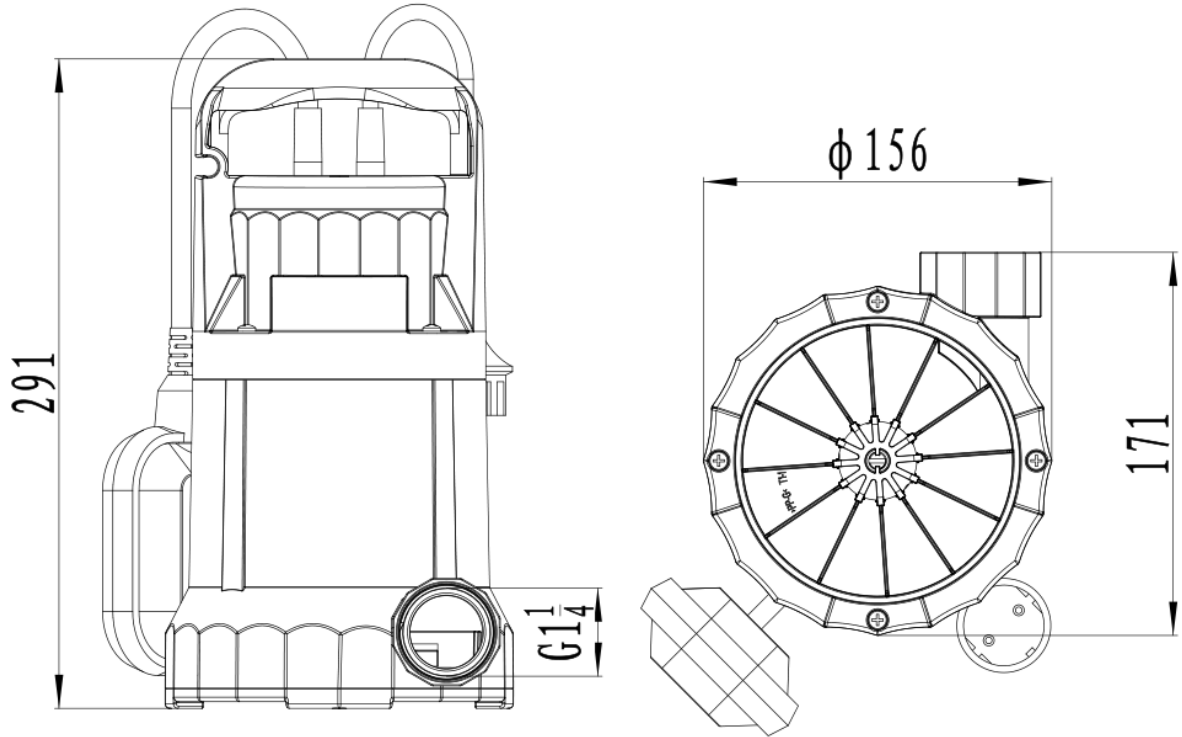
Manufacturer	LEO
Address	China,Zhejiang,Wenling
Contact	0576-89988888
Date	2024/7/17

Project Name

Client Name	
Client Addr.	

Item NO

Contacts	
Contact	





Structure picture

Manufacturer LEO
 Address China,Zhejiang,Wenling
 Contact 0576-8998888
 Date 2024/7/17

Project Name

XKS-310PL

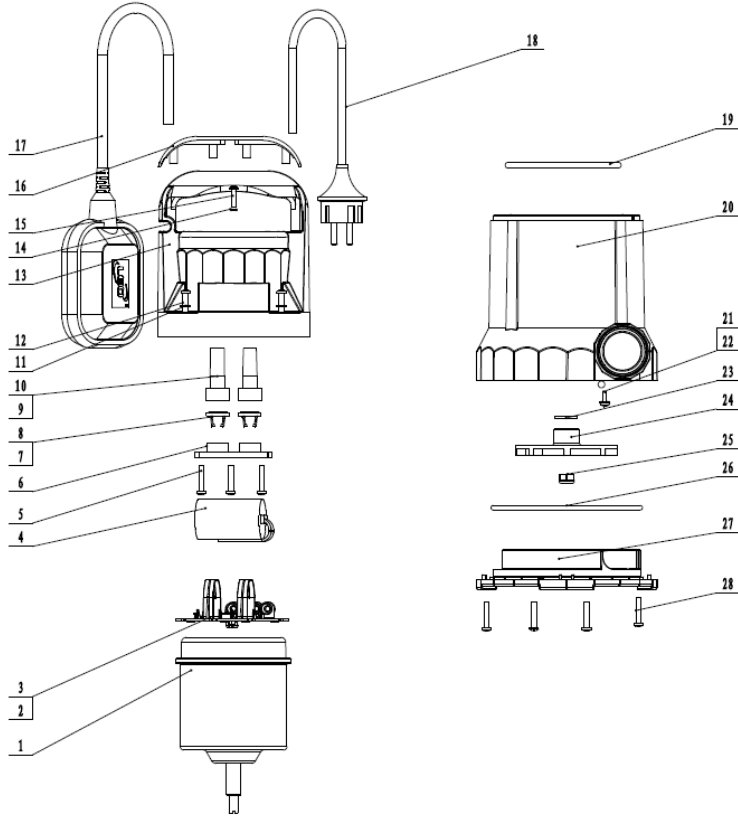
Client Name

Client Addr.


Item NO

Contacts

Contact



28	10010267	十字槽盘头自攻螺钉ST4. 2×22F型	Screw	4	20H(304)	
27	40050207	XKS-410PL底座	Base	1	PP-GF30	
26	10000472	O形密封圈(GB/T 3452.1)123×3.8	O-ring	1	NBR	
25	10007210	非金属嵌件埋型锁紧螺母M8(DIN 985)	Locknut	1	A2-70(304)	
24	40050197	XKS-310PL叶轮	Impeller	1	PA6-GF25	
23	10034335	平垫φ8.5×φ20×1	Washer	1	200HV(304)	
22	10033173	十字槽盘头带垫自攻螺钉ST3.5×9	Screw	1	20H(304)	
21	10001235	钢珠Sφ6	Ball	1	304	
20	40050206	XKS-410PL泵体	Pump body	1	PP-GF30	
19	10033148	O形密封圈(GB/T 3452.1)90×5	O-ring	1	NBR	
18	10036065	插头线(欧标)H05RN-F 3G×0.75×10.3m	Plug cord	1		剩150
17	40032988	FLO-01B浮子开关H07RM-F 3G×1mm×0.6m	Float switch	1		剩150
16	40005306	XKS-750P扶手衬	Handle inlay	1	PP-GF30	
15	10033172	内六角花型圆头白漆自攻钉(带垫)ST3.5×11	Screw	1	20H(304)	带垫
14	10000501	O形密封圈(GB/T 3452.1)2.5×1.8	O-ring	1	NBR	
13	40050208	XKS-410PL顶盖	Main housing	1	PP-GF30	
12	10010266	Y形盘头自攻螺钉TST4. 7×35	Screw	4	20H(304)	
11	10001457	平垫圈4(GB/T 97.1)	Washer	4	20H(304)	
10	10002549	XKS-750PW电缆护套	Cable jacket	1	EPDM	
9	10006327	XKS-251P电缆护套	Cable jacket	1	EPDM	
8	40023262	LKS-400PW电缆固定夹	Cable clamp	1	PA6-GF25	
7	40033437	LKS-250P电缆固定夹	Cable clamp	1	PA6-GF25	
6	40013291	XKS-258P电缆固定板	Cable plate	1	PA6-GF25	
5	10001550	十字槽盘头自攻螺钉ST4. 2×22F型	Screw	3	ML20Mn	镀锌
4	10035289	CB60聚丙烯6μF/450V电容量56°C/70°C/83	Capacitor	1		聚丙烯10H:5
3	10017517	耐高温绝缘端子 150℃/750℃(CB2)	Clip cap	5		
2	40047568	LGS-300P绝缘板	Insulation	1	PP-T0	
1	40050945	SM-5630-2电机(DMC增量)	Motor	1		
序号	代号	中文名 Chinese Name	英文名 English Name	数量	材料	备注
No.	Part No.	名称 Part Name		Amount	Material	Remark

	Physical picture	Manufacturer	LEO
		Address	China,Zhejiang,Wenling
		Contact	0576-89988888
		Date	2024/7/17
Project Name	XKS-310PL	Client Name	
Item NO		Client Addr.	
		Contacts	
		Contact	

